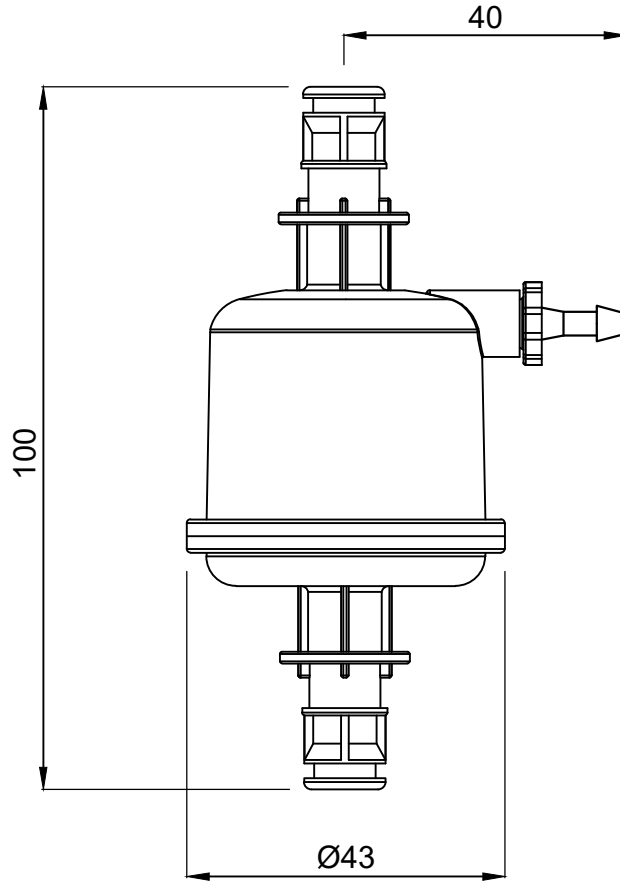


DO NOT SCALE THE DRAWING
ALL DIMENSIONS ARE IN mm



PART	QUANTITY	REF. NO.	DESCRIPTION	MATERIAL	FINISHED SIZE	HARDNESS	REMARK

REV. NO.	ECN. NO.	DATE	DESCRIPTION	REV. NO.	ECN. NO.	DATE	DESCRIPTION

mdi Advanced Microdevices Pvt. Ltd. 20, 21, Industrial Area , Ambala Cantt., 133006		REV. NO. FORMAT NO. 5	SCALE	PROJ.	DATE	SIGN.	TOLERANCE UNLESS SPECIFIED					
1" Capsule Filter With Quick Connector I/O								1Dec.PI	2Dec.PI	3Dec.PI	4Dec.PI	
								C	A±0.100	A±0.050	A±0.025	A±0.010
								T	A±0.050	A±0.025	A±0.010	A±0.000
								S				
							ANGLE	A±2°	A±2°	A±2°	A±2°	

TOOL No.	COMP. No.	STORE No.	SHEET 1 OF 1
----------	-----------	-----------	--------------